

WATERWHEELS - Technical Guide



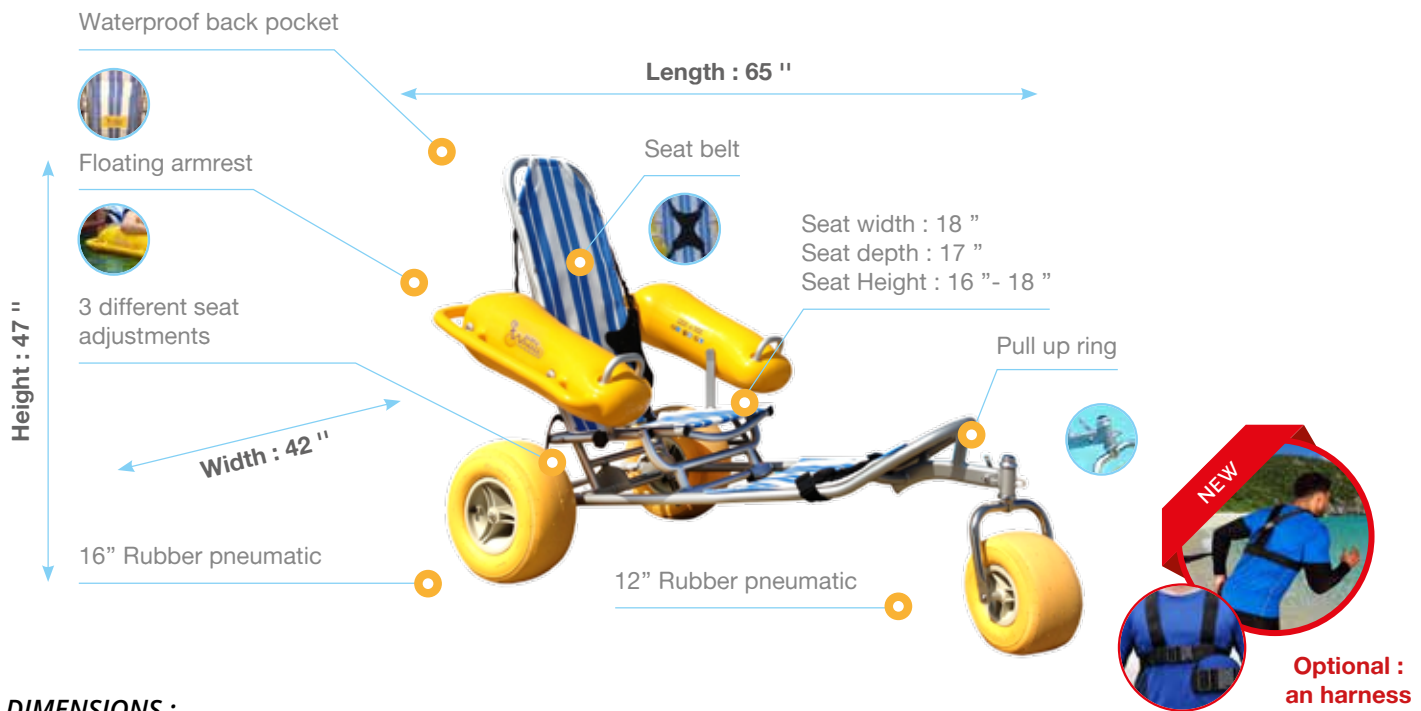
I. GENERAL CHARACTERISTICS

WaterWheels is a beach floating wheelchair for people with reduced mobility.

CONTENT

- I. General Characteristics
- II. Product accessories
- III. Applications and installation conditions
- IV. Resistance tests
- V. Warranty
- VI. References
- VII. Assembly guide





DIMENSIONS :

Width
(between the armrests): 107 cm

Length: 152 cm

Height: 127 cm

Weight: 27 kilos

Load capacity: 115 kilos

Colours: blue and white vertical stripes, yellow armrests and wheels

Components: rubber tires

Axle: stainless steel

Chassis: folding aluminium

Armrests: PVC

Resistance: FUV and seawater resistant fabric

Key advantages:

- Very good floatability
- Easy to assembly (without any tools)
- 3 different seating positions: suitable for different kind of handicaps
- Easy to store: demountable (6 parts) and foldable
- Prompt maintenance: spare parts are ready for delivery within 5 days



Manufacture and description

The **WaterWheels** front fork, manufactured of stainless steel, and our frame made of aluminum, are designed to absorb the shocks of rough terrains while withstanding the weight of its passenger for repeated use.

Our wider backrest, which is made from UV and water-resistant fabric, is designed to provide superior comfort while sun bathing and floating.

The yellow floating armrests are easily visible to the lifeguards giving piece of mind to users.

Weighing only 27 kg, **WaterWheels** accommodates all users from children to elderly people with a maximum capacity of 115 kg.

II. PRODUCT ACCESSORIES

STRAPS :

Traction straps are provided to ease the circulation of WaterWheels while entering and leaving the water.



SAFETY BELT :

A seatbelt is provided to avoid any risk of fall when movement on sand or into water.
Users can enjoy the beach, ocean, lakes, waterparks and pools with stability and comfort.



AN HARNESS (OPTIONAL)

Accessrec proposes to equip your WaterWheels with an harness with polyester straps for greater comfort while escorting the user.

This novation possesses several advantages :

- It consists in an ergonomic solution which allows to relieve the accompanist during the use.
- It is an removable and light solution facilitating its transport and storage.
- Unlike a drawbar, this harness is a smooth solution which avoids any risk of shocks with the user and the accompanist.
- The harness is provided with a new model of hauling strap. This strap is composed by a foam handle that brings greater comfort and relieves hands.



III. APPLICATIONS AND INSTALLATION CONDITIONS

WaterWheels is composed of 3 floating wheels, a chassis and two floating armrests. It can be quickly and easily assembled. WaterWheels can be assembled and/or disassembled in less than 5 minutes and without any tools. An assembly guide will be provided with your WaterWheels.

WaterWheels is not intended for use during inclement weather. Our beach wheelchair is ideal to ease the access to pools and seas/ calm lakes.

Always use the WaterWheels with the close assistance and supervision of an able-bodied user. For greater safety, it is recommended that the user wear the seatbelt while transporting from place to place. Please make sure to check local laws as far as it concerns the regulation about the wearing of a lifejacket.

Do not use the spare parts of WaterWheels® for any other use than the one that is intended for. For instance, it is strongly recommended not to use spare parts to carry anything else than its user. A misuse of the beach wheelchair components may cause parts to become detached, resulting in injury. It is important that these components are properly used.

WaterWheels was designed to provide comfort and stability during the use. A weight transfer or soft grounds may cause beach wheelchair to fall, resulting in injury. For greater safety, we recommend that you use the safety belt.

IV. RESISTANCE TESTS

Resistance test validated with The RESNA WC-1: 2009

Forward wheels – locked: 30.7°
Forward wheels- unlocked: N/A
Rearward wheels- unlocked, inclined seat: 7.7°
Rearward wheels- locked, inclined seat: N/A
Lateral- beach wheelchair in its least configuration: 24.3°

Requirements and test methods for static, impact and fatigue.

Tests de force statique

	Load (N)	Pass/ Fail
Arm supports: downward forces	970	Pass
Foot supports: downward forces	1121	Pass
Foot support: upward forces	952	Pass
Push handles: upward load	1005	Pass

Tests de résistance aux chocs

	Angle of impact	Pass/ Fail
Back support	30°	Pass

Wheel	51°	Pass
Foot supports - lateral	51°	Pass
Front caster fork	51°	Pass

V. WARRANTY

Accessrec Europe offers a two (2) years warranty starting at the date of your Purchase Order. This warranty only covers manufacturing defects of the product. Alterations related to normal use are not considered as manufacturing defects. Damages caused by vandalism or the passage of vehicles are not covered by the warranty.

The warranty does not cover:

- The normal use of WaterWheels
- Improper care, operation, maintenance and storage of WaterWheels
- An accident or natural disaster.
- Modifications that have been made to WaterWheels without written consent of Accessrec Europe.
- Repairs that have been made without written consent of Accessrec Europe.
- Maintenance and transport costs that can be necessary if reparations are required.

If you are not satisfied by the intended conditions are reparations that have been made, please contact directly Accessrec Europe. Products may not be returned without consent from Accessrec Europe. The two (2) year limited warranty is applicable to the original purchaser only.

VI. RÉFÉRENCES



Brésil



Roquebrune-sur-Argens, Var

VII. ASSEMBLY GUIDE

